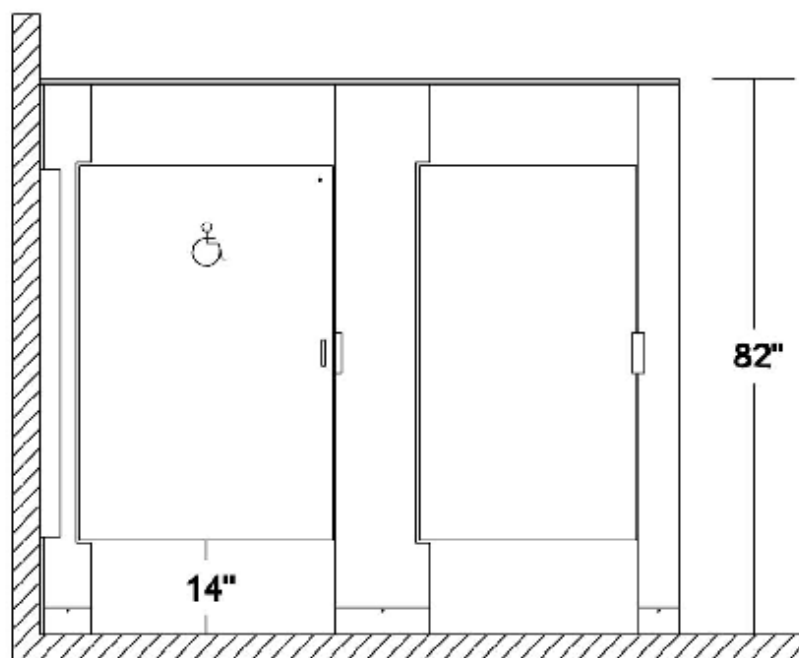


## HEADRAIL BRACED SOLID PLASTIC



## INSTALLATION INSTRUCTIONS

# Recommended Tools

- Tape Measure
- Miter Saw w/metal blade
- Level
- Chalk Line
- Hammer
- Drill (portable preferred)
  - Drill Bits supplied w/hardware: T7 & T27
  - Drill Bits supplied by installer: 1/8", 3/16", 1/4", & 5/16" masonry
- 14"x14"x14" support block to set panel height

# Fasteners Supplied



Washer

Use with 1 1/2" screw for anchoring Pilaster Shoes



1 15/16" (10-24) Torx Machine Screw



Use to attach door hardware



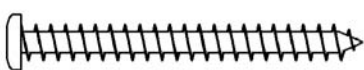
1/4" (10-24) Torx Hex Bolt



Use to attach wall and headrail brackets, shoes, hinges and latches to doors, and pilasters



#14 x 2 1/2" Torx Screw

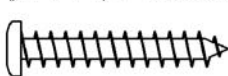


Use to attach surface mounted pilasters to the wall

Use to attach wall and headrail brackets



#14 x 1 1/2" Torx Screw

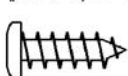


Use to attach wall and headrail brackets

Use to attach shoes to the floor



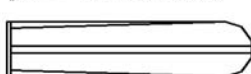
#14 x 3/4" Torx Screw



Use to attach miscellaneous hardware and brackets to doors and pilasters



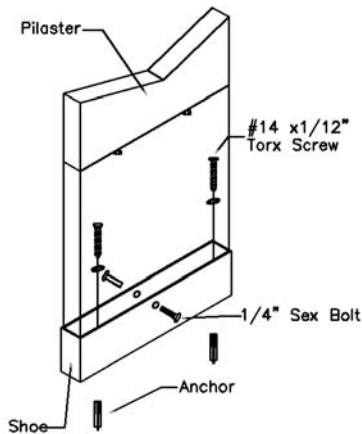
#14 - 16 Plastic Anchor



Use with #14 screws for floor and wall attachments

# Typical Layout

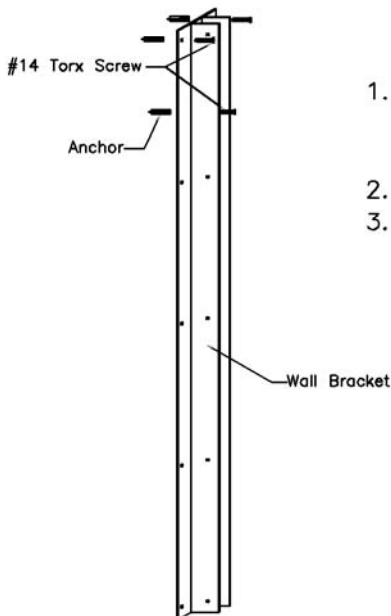
1. Use the drawings provided to mark the centerlines of the pilasters and snap a chalk line. (the distance from the wall is approximately 1/2" less then shown on the drawing)
2. Use the drawinds to mark the plumb lines on the walls for the pilasters.



## Pilaster Shoe Install

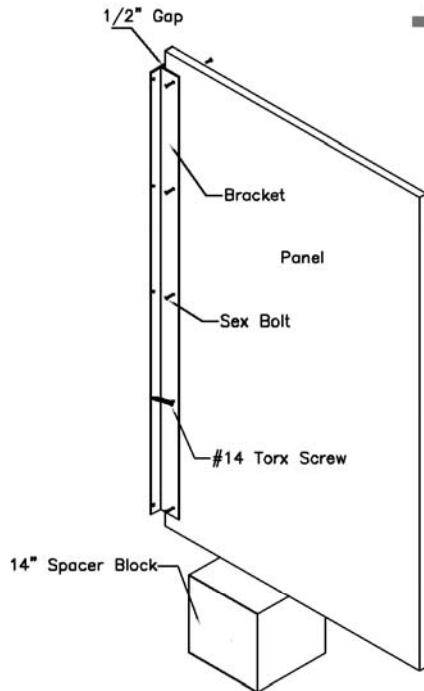
1. Use the drawings provided to locate the pilaster shoes on the centerline. (The dimension shown is from pilaster edge to pilaster edge. Shoe location is by the inside of the shoe)
2. Mark the slots in the shoe on the chalked centerline. Remove the shoe and drill the holes using the 5/16" masonry bit.
3. Insert #14 plastic anchors into the holes.
4. Place the shoe over the holes and use the #14-1 1/2" Torx Screw and stainless washer to fasten the shoe

## Continuous Wall Bracket Install



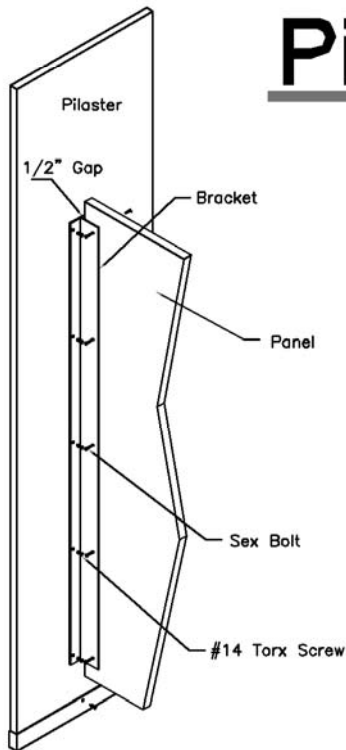
1. Use the continuous bracket as a template to mark the hole locations on the Wall. Use caution so all the brackets have the same orientation. The bottom of the bracket should be 14 1/2" above the floor.
2. Drill 5/16" holes and insert the #14 plastic anchors.
3. Place the wall bracket over the anchors and install using the #14 1 1/2" Torx screw.

# Panel Install



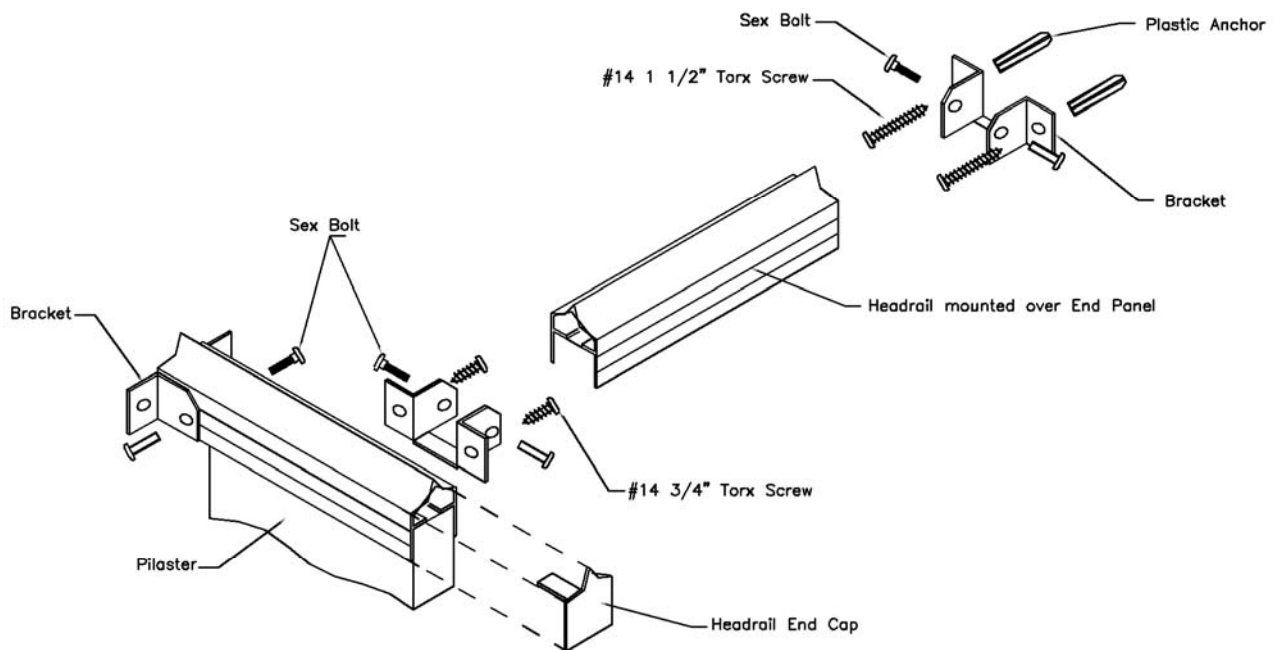
1. Position the 14" block halfway between the wall and the pilaster and the wall so that the panel is balanced. Slide the panel into the bracket leaving 1/2" from the wall. (1/2" is the standard but can vary so the panel is centered)
2. Plumb and level the Panel.
3. Drill 1/4" holes through the panel using the bracket as a guide.
4. Attach the Panel using the Sex Bolts.

# Pilaster Install



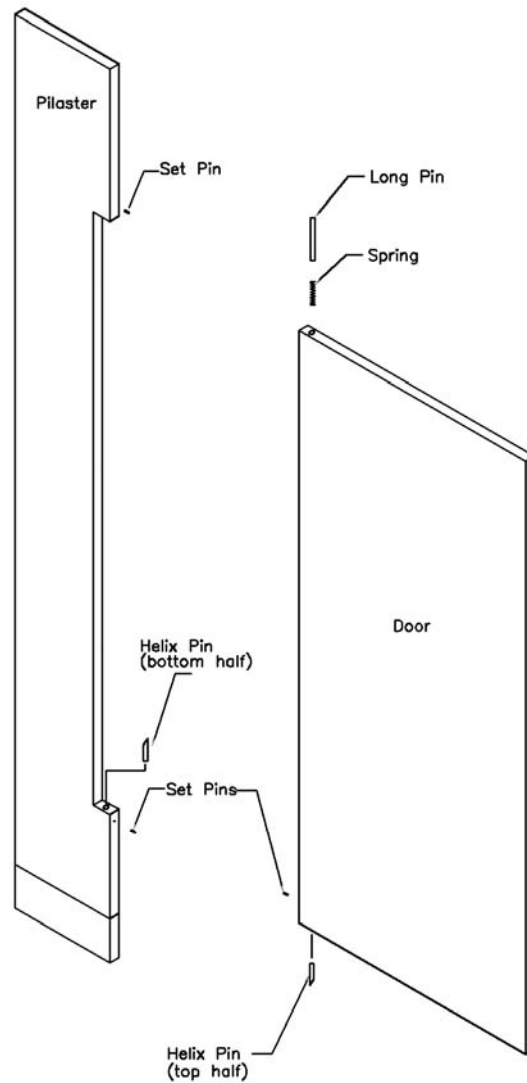
1. Position the pilaster in the shoe and rest it against the wall bracket. Plumb and level the pilaster and drill 3/16" pilot holes in the pilaster 1/2" deep. Use bracket as a guide.
2. Fasten the bracket to the pilaster using the #14-3/4" Torx Screws.
3. Drill 1/4" holes through the panel using the bracket as a guide.
4. Attach the Panel using the Sex Bolts.

# Headrail & Bracket Install



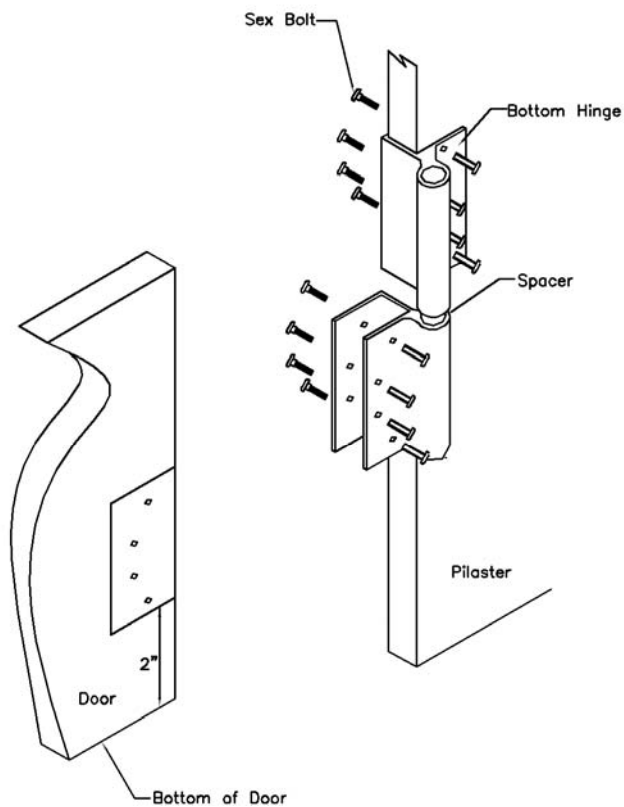
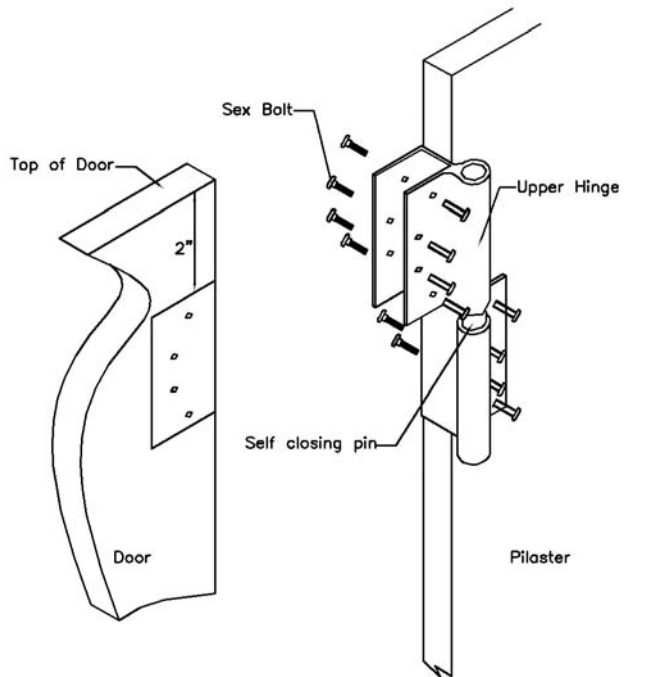
1. Set the headrail onto the pilaster in the correct position (cut if required) and place the bracket in position. Mark the holes on the wall. Remove and drill the 5/16" hole and insert the Plastic Anchor.
2. Fasten the bracket to the wall using the #14 1 1/2" Torx Screw.
3. Attach the Bracket and Headrail with the Sex Bolt.
4. Follow the same sequence to attach the panel headrail to the pilaster headrail using the #14 3/4" Torx Screw. (use the 3/16" drill for the pilot holes)
5. Tap the press fit End Cap into the end of the headrail.

# Integral Door Hinge Install

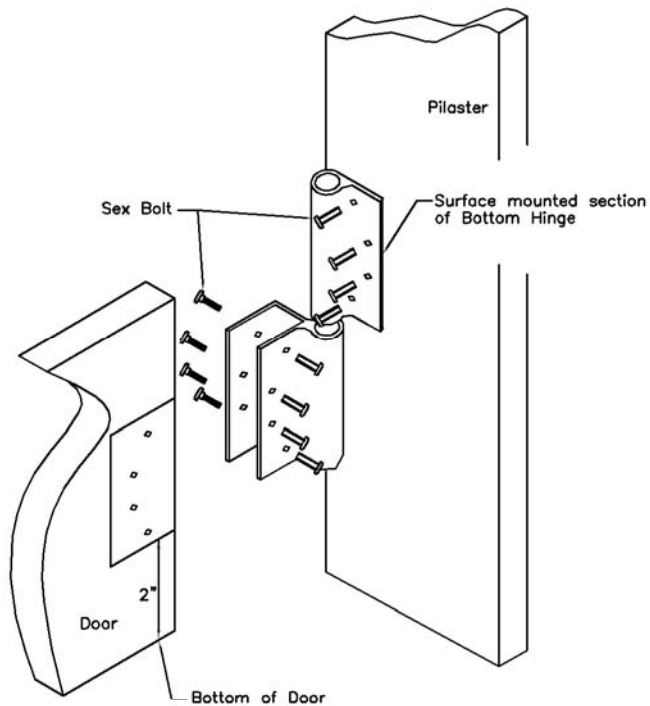
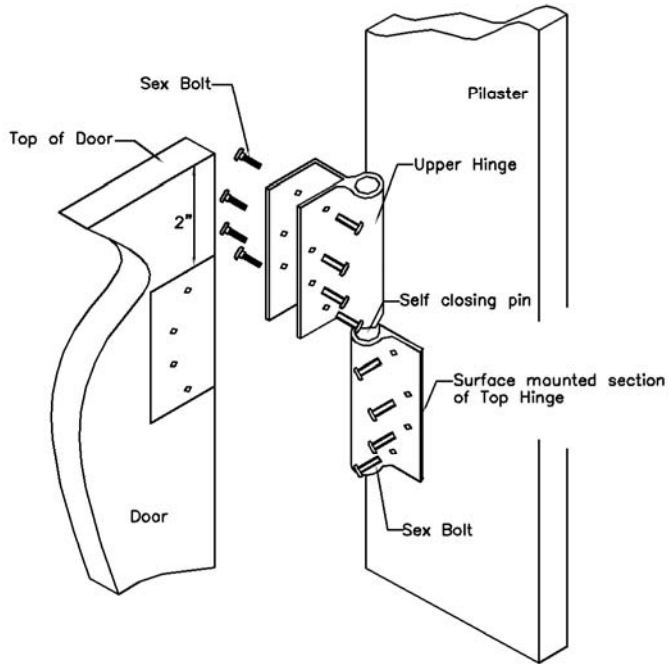


1. Insert the top half of the self closing helix pin into the bottom of the door with the slanted edge inline with the door until there is 1/2" of the steel pin showing. Drill 1/8" hole by 2" deep through the nylon section of the helix.
2. Insert the set pin to hold the helix pin in position.
3. Insert the bottom half of the helix pin into the pilaster leaving about 1 1/4" exposed.
4. Set the angle of the slanted surface to the desired angle of the door at rest. drill a 1/8" hole through the nylon section of the helix pin.
5. Insert the set pin to hold the helix pin in position.
6. Place the spring and the long pin into the top hole of the door.
7. Mount the door on the self closing pin and align the top hinge with the top hole in the pilaster. Slide the door into position until the spring locates the pin into the pilaster.

# Wrap Around Hinge

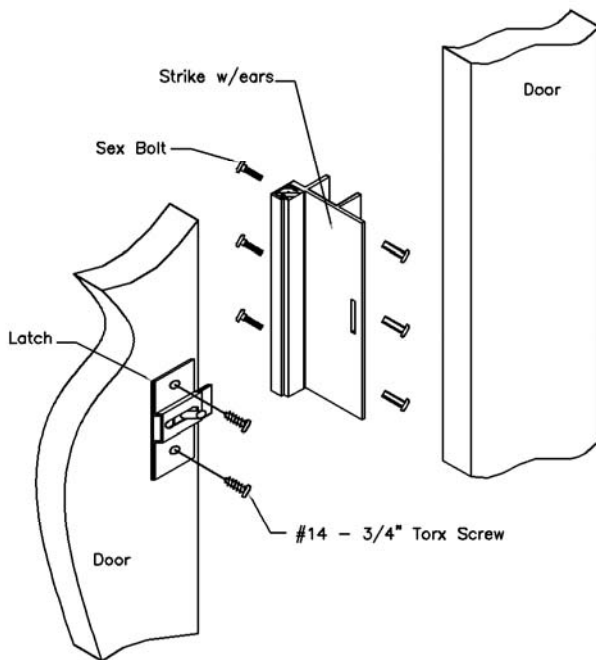


# Surface Mount Hinge



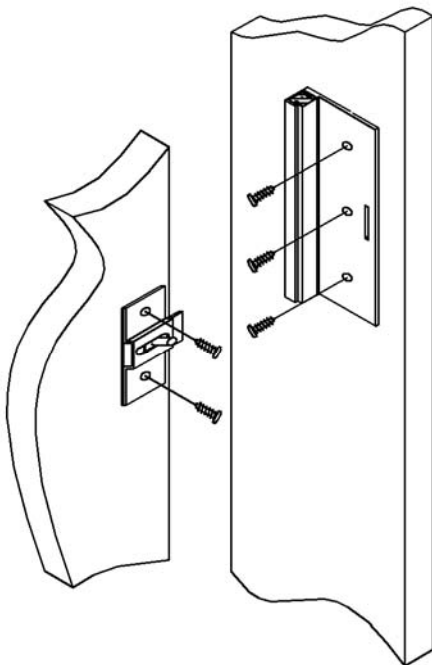


# Inswing Strike & Latch Install



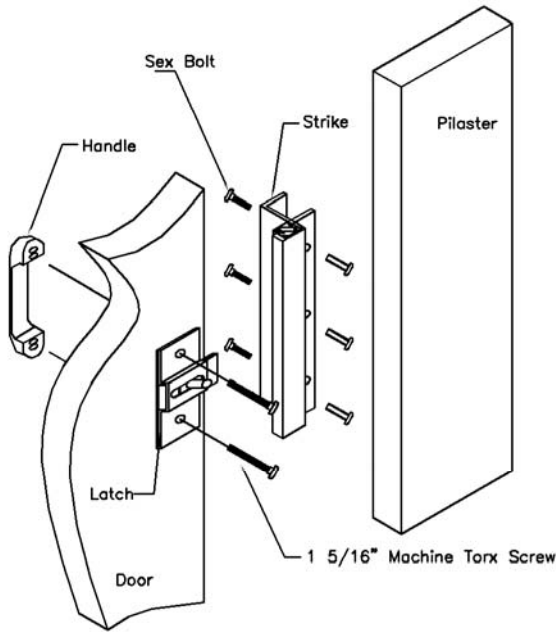
1. Center the strike on the pilaster 38" from the floor.
2. Using the strike as a template mark the holes.
3. Drill 1/4" holes.
4. Attach the strike using the Sex Bolts.
5. Center the door latch with the strike.
6. Mark and drill 3/16" hoiles 3/4" deep.
4. Attach the latch using the 3/4" Torx Screw.

# Inswing Strike & Latch Install



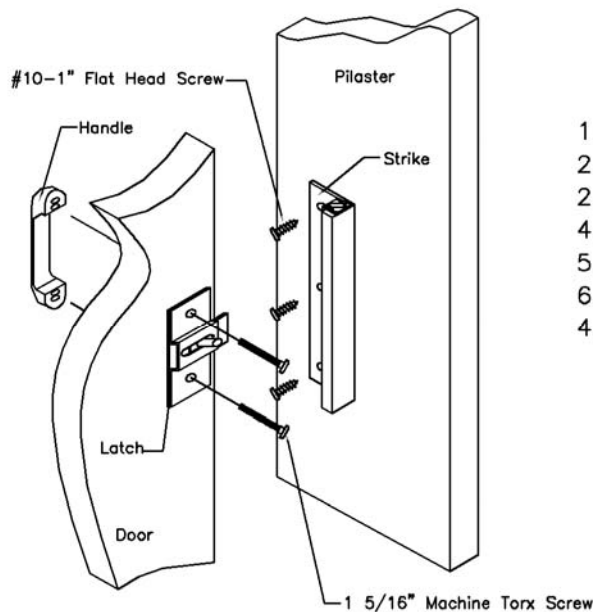
1. Locate the strike on the pilaster 38" from the floor.
2. Using the strike as a template mark the holes.
3. Drill 3/16" holes 3/4" deep.
4. Attach the strike using the #10-1" flat head screws.
5. Center the door latch with the strike.
6. Mark and drill 3/16" hoiles 3/4" deep.
4. Attach the latch using the 3/4" Torx Screw.

# Outswing Strike w/ Ears



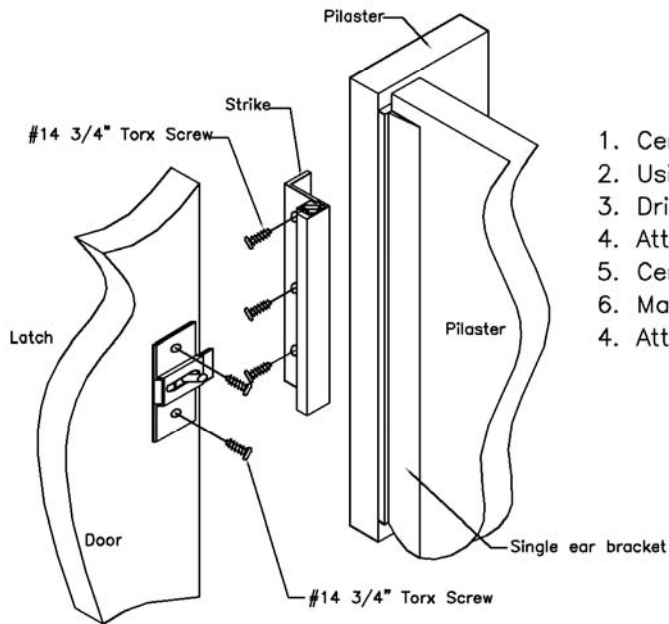
1. Center the strike on the pilaster 38" from the floor.
2. Using the strike as a template mark the holes.
3. Drill 1/4" holes.
4. Attach the strike using the Sex Bolts
5. Center the door latch with the strike.
6. Mark and drill 1/4" holes.
4. Attach the latch and handle using the 1 5/16" Machine Torx Screw.

# Outswing Strike (surface mount)



1. Center the strike on the pilaster 38" from the floor.
2. Using the strike as a template mark the holes.
2. Drill 3/16" holes 3/4" deep.
4. Attach the strike using the #10-1" flat head screws.
5. Center the door latch with the strike.
6. Mark and drill 1/4" holes.
4. Attach the latch and handle using the 1 5/16" Machine Torx Screw.

# Inswing Strike (w/o ear)



1. Center the strike on the pilaster 38" from the floor.
2. Using the strike as a template mark the holes.
3. Drill 1/4" holes.
4. Attach the strike using the 3/4" Torx Screw.
5. Center the door latch with the strike.
6. Mark and drill 3/16" holes 3/4" deep.
4. Attach the latch using the 3/4" Torx Screw.

## Miscellaneous Parts Install

### Coat Hook Install

1. Center the hook 3" from the top and side edge of the door.
2. Mark the hole locations and drill 3/16" pilot holes 3/4" deep.
3. Attach the hook using #14-3/4" Torx Screws.

### Wall Stop (on door)

1. Center the door stop 3" from the bottom and side edge of the door.
2. Mark the hole locations and drill 3/16" pilot holes 3/4" deep.
3. Attach the stop using #14-3/4" Torx Screws.

### Wall Stop (on wall)

1. Center the door stop 17" above the floor and 3" from the door edge when opened.
2. Mark the hole locations and drill 5/16" holes and install plastic anchors.
3. Attach the stop using #14-1 1/2" Torx Screws.